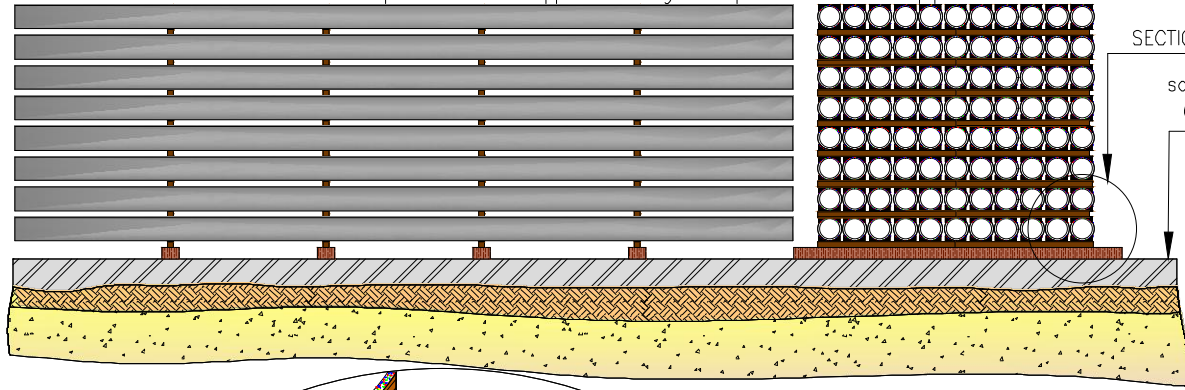
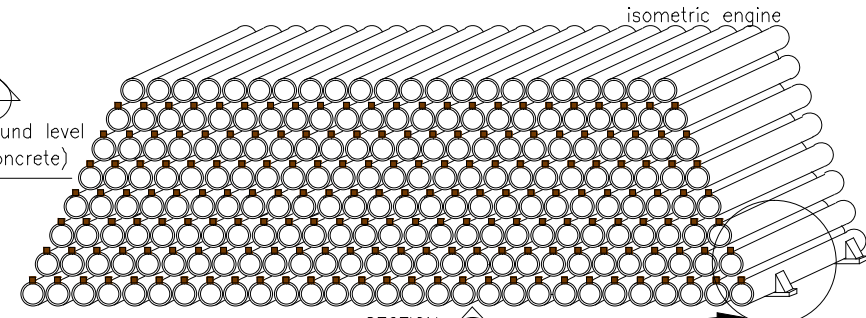


front view maximal 8 sites pipes stacked (on top of each other);
recommondation: four squared timber supports arranged in parallel under the pipes



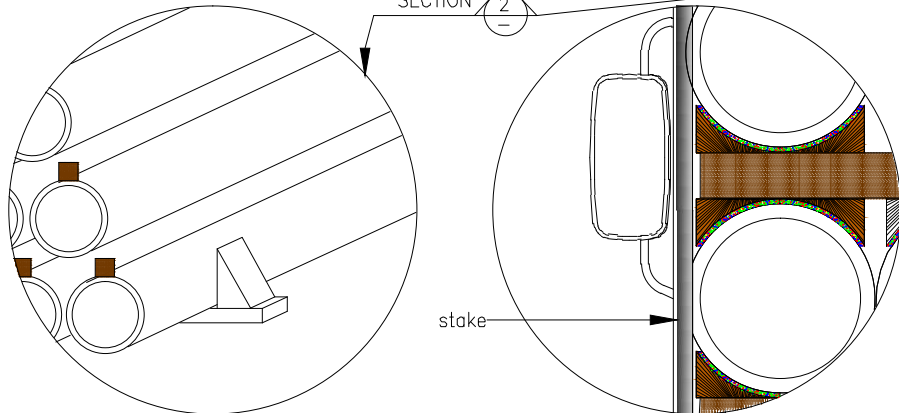
lateral view

SECTION 1
solid ground level (like concrete)



isometric engine

SECTION 2



SECTION 1
SCALE-NITS

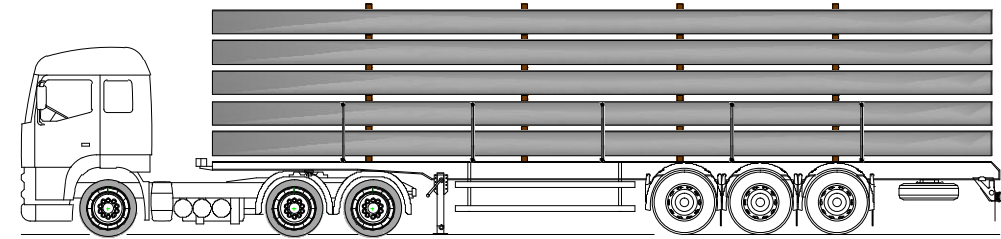
neoprene - coating
between ground and first sites pipes have to be (not less than) 200 mm

200

130 km pipes are equal (if one pipe 13,5 m) ca. 9630 pipes.
counting: $130 \text{ km} \cdot 1000 / 13,5 \text{ m} = 9629,63$
all 9630 pipes (8 sites pipes stacked) results
in a length with 491,7 m (13,5 m x 491,7 m)

$491,7 \text{ m} \cdot 13,5 \text{ m} = 6637,95 \text{ m}^2$ or
an area of about ca. 81 m in length * 81 m in width.

weight: 1 m pipe = 0,063 to (13,5 m = 0.8505 to)



SECTION 3
SCALE-NITS

